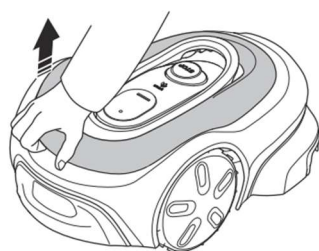


Service Information

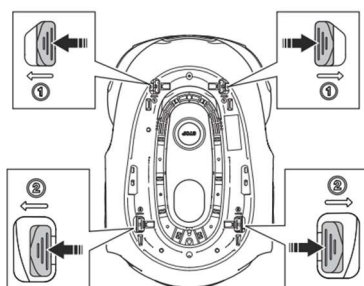


Where to find the USB-C socket for robotic mowers SILENO free SILENO max SILENO pro

1. Remove the top cover.



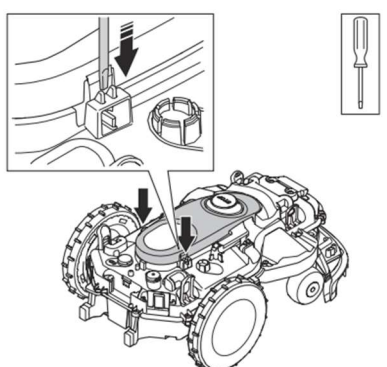
2. Press on the clips located at the back of the device's housing.



3. Press on the clips located at the front of the device's housing.

4. Remove the device's housing from the chassis.

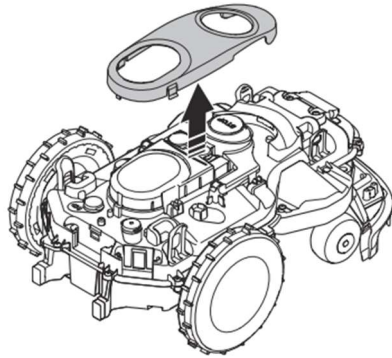
5. Press on the clips on the HMI cover with a flathead screwdriver.



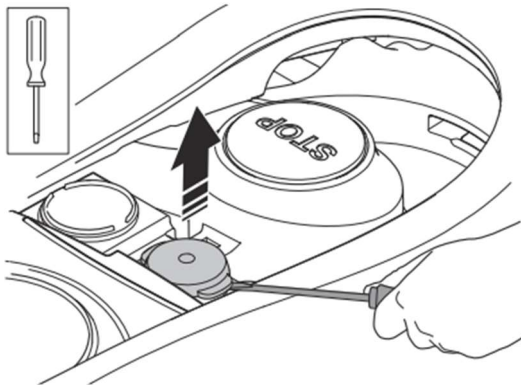
Service Information



6. Remove the HMI cover.



7. Remove the USB cover with a flathead screwdriver.



8. Connect the USB cable to the device and the computer.

9. Visit our website www.gardena.com. Download the firmware update tool and follow the instructions.

10. Disconnect the cable.

11. Reattach the cap, ensuring it seals completely.